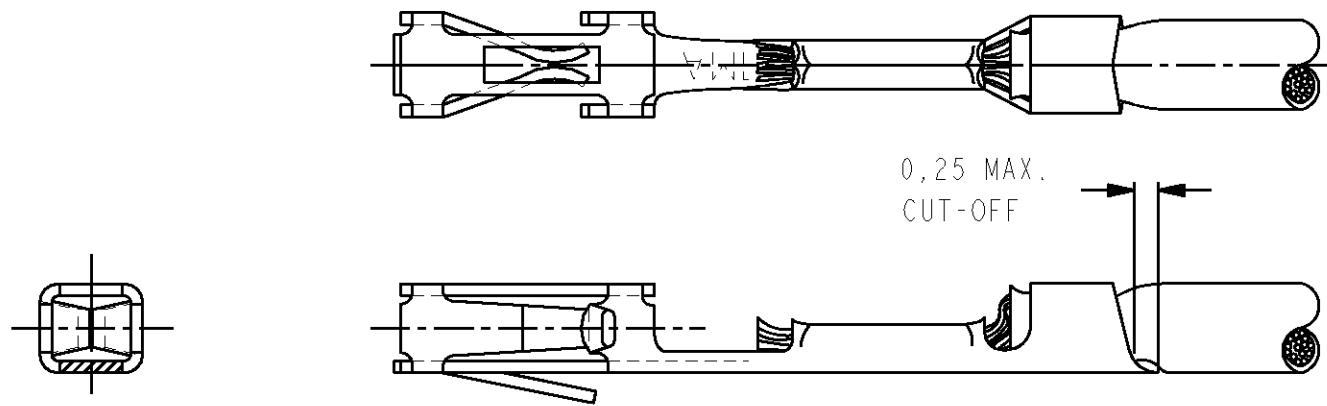
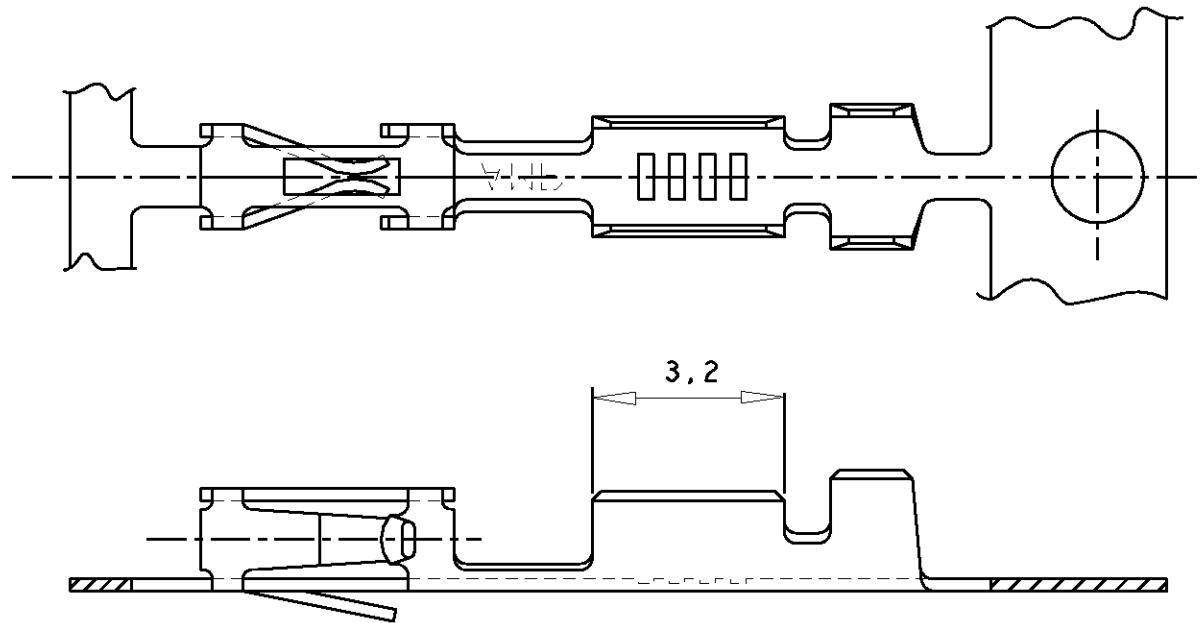


THIS DRAWING IS UNPUBLISHED. RELEASED FOR PUBLICATION  
 © COPYRIGHT - BY TYCO ELECTRONICS CORPORATION. ALL RIGHTS RESERVED.

LOC	DIST	REVISIONS			
P	LTR	DESCRIPTION	DATE	DWN	APVD
H	-				
	C	ECR-07-015105	26 JUNE 07	RvH	MvD



- 1 FOR MINI-APPLICATOR-CRIMPING.
- 2 UNDERCOATING: 1,25 μm Ni, SELECTIVE: 0,8 μm Au, NO GOLDFLASH.
- 3 UNDERCOATING: 1,25 μm Ni, SELECTIVE: 0,8 μm Au, REMAINDER: GOLDFLASH.
- 4 PRE-TIN PLATED: 2,0 μm.
- 5 ZONE 1: MATT TIN PLATED.
- 6 MATERIAL: PHOSPHORBRONZE
- 7 FOR REELFED-HANDTOOL-CRIMPING, 500 CONTACTS ON A SMALL REEL.
- 8 24-20 AWG (0,20-0,56 mm<sup>2</sup>) WITH .055 CRIMPER.  
26 AWG (0,12-0,14 mm<sup>2</sup>) WITH .042 CRIMPER.



WIRE RANGE	8
INSUL. RANGE	1,4 MAX. DIA.

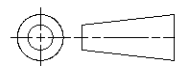
FINISH	LOOSE PIECE	PARTNUMBER
TIN	166310-3	5-166309-3
GOLD	166310-2	5-166309-2
GOLD	166310-1	5-166309-1
TIN	166310-3	166309-3
GOLD	166310-2	166309-2
GOLD	166310-1	166309-1

LTR.	REVISION RECORD	DR.	CHK.	DATE	
-	-	-	-	-	
C	ECR-07-015105	RvH	MvD	26 JUNE 07	
B	EH-0259-97	RB	RS	10-mr 1-97	
A	EH-0177-96	RDB	RS	01-FEB-96	
0	H-9228	JvdH	D.S.	31-10-91	
DR.:	J.V.D.HEIJDEN.	CHK.:	R.Broens	APP.:	R. SMEETS
DATE:	31-10-91	DATE:	10-03-97	DATE:	10-03-97

THIS DRAWING IS A CONTROLLED DOCUMENT FOR TYCO ELECTRONICS CORPORATION  
 IT IS SUBJECT TO CHANGE AND THE CONTROLLING ENGINEERING ORGANIZATION  
 SHOULD BE CONTACTED FOR THE LATEST REVISION.

DIMENSIONS:

mm



TOLERANCES UNLESS OTHERWISE SPECIFIED:

- 0 PLC ±
- 1 PLC ±
- 2 PLC ±
- 3 PLC ±
- 4 PLC ±
- ANGLES ±

MATERIAL -

FINISH -

DWN	RvHEUVEN	25 JUNE 07
CHK	MvD	25 JUNE 07
APVD	MvD	-
PRODUCT SPEC	-	-
APPLICATION SPEC	-	-
WEIGHT	-	-

**Tyco Electronics** Tyco Electronics Corporation  
 's-Hertogenbosch, Nederland

NAME  
**AMP MODU MOD. V  
 RECEPTACLE,  
 HIGH PRESSURE, STRIP.**

SIZE	CAGE CODE	DRAWING NO	RESTRICTED TO
A3	00779	C-166309	-

CUSTOMER DRAWING SCALE NTS SHEET 1 OF 1 REV C